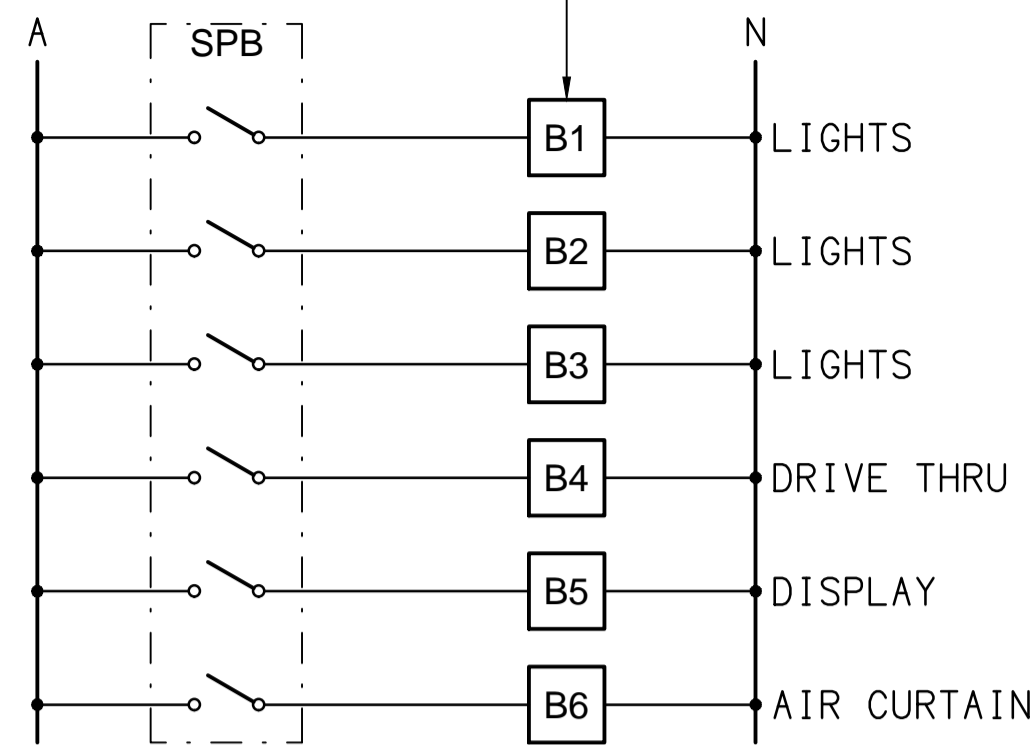
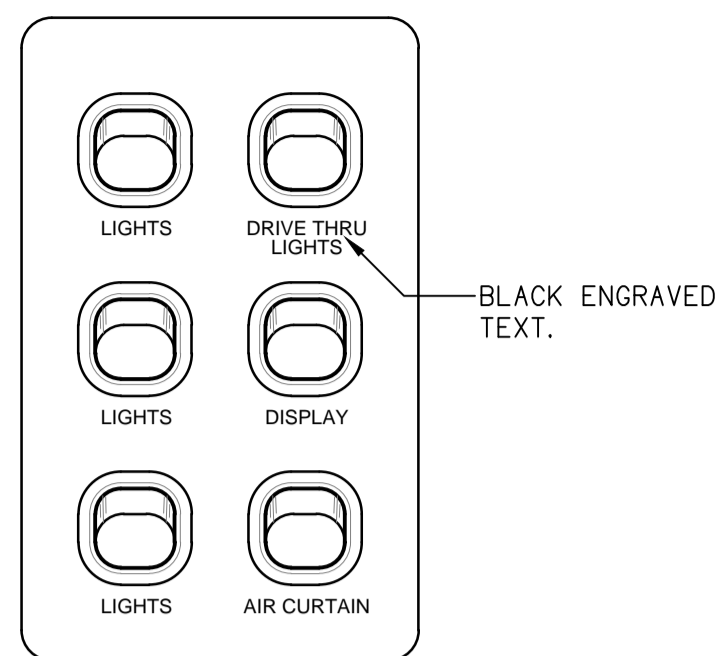


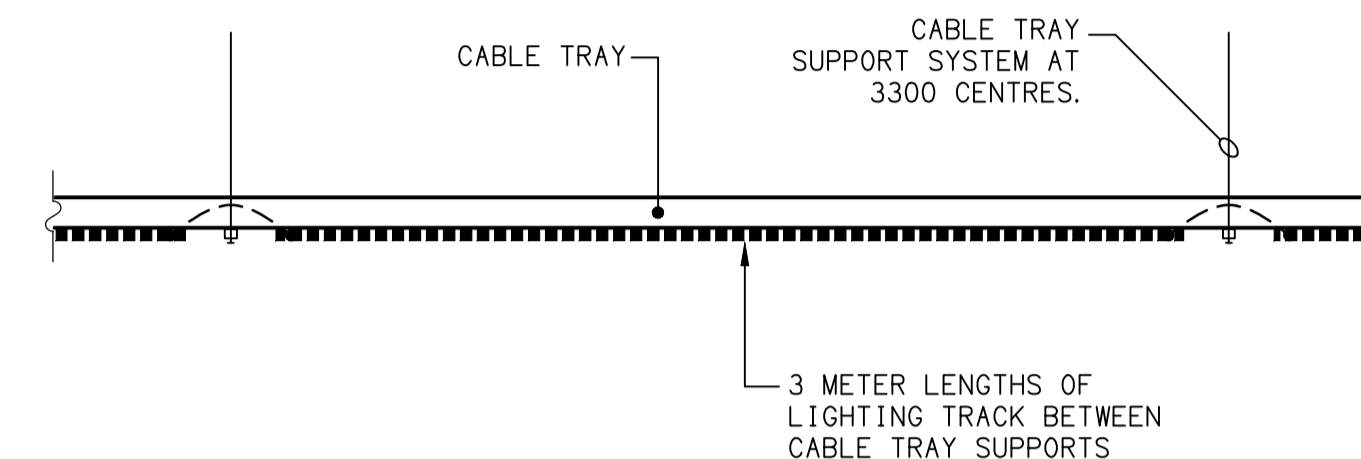
CONTACTORS TO CONTROL THE ASSOCIATED CIRCUITS NOMINATED IN THE DISTRIBUTION BOARD DB-B SCHEDULE.



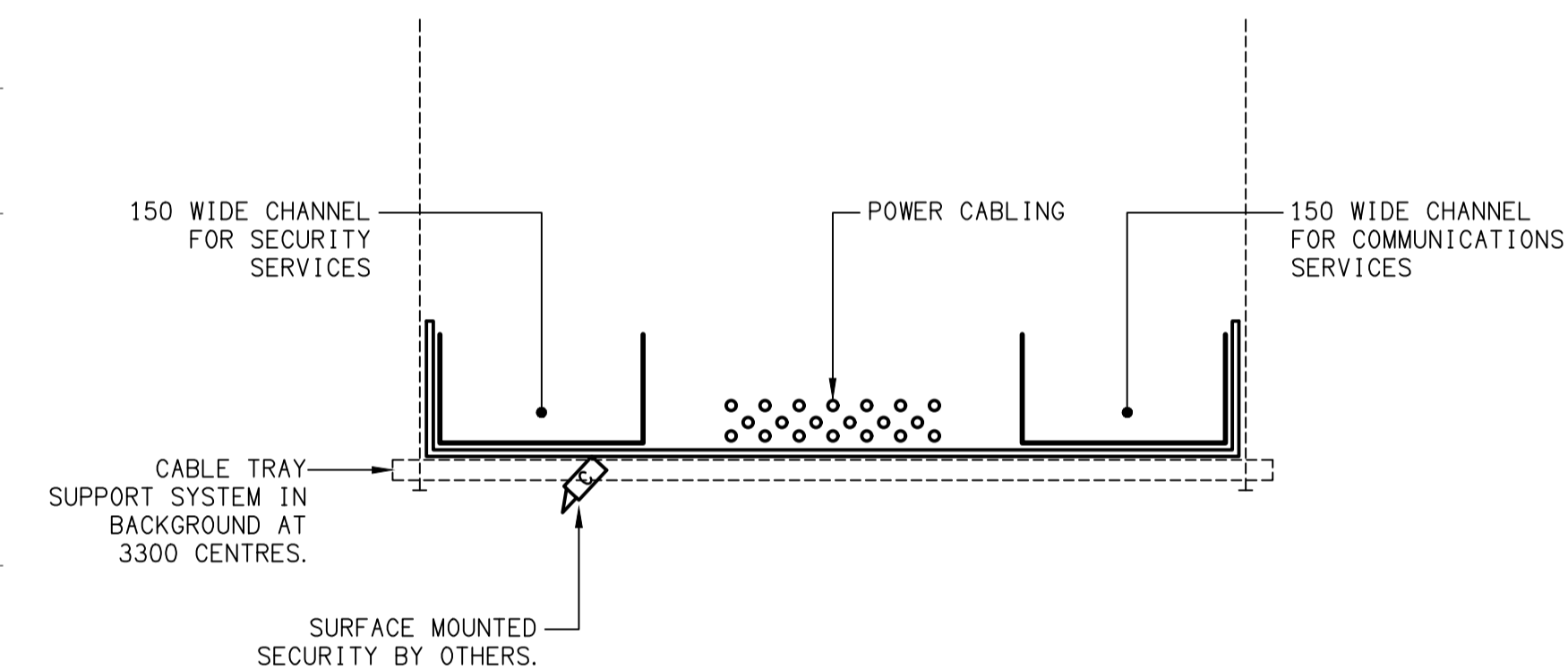
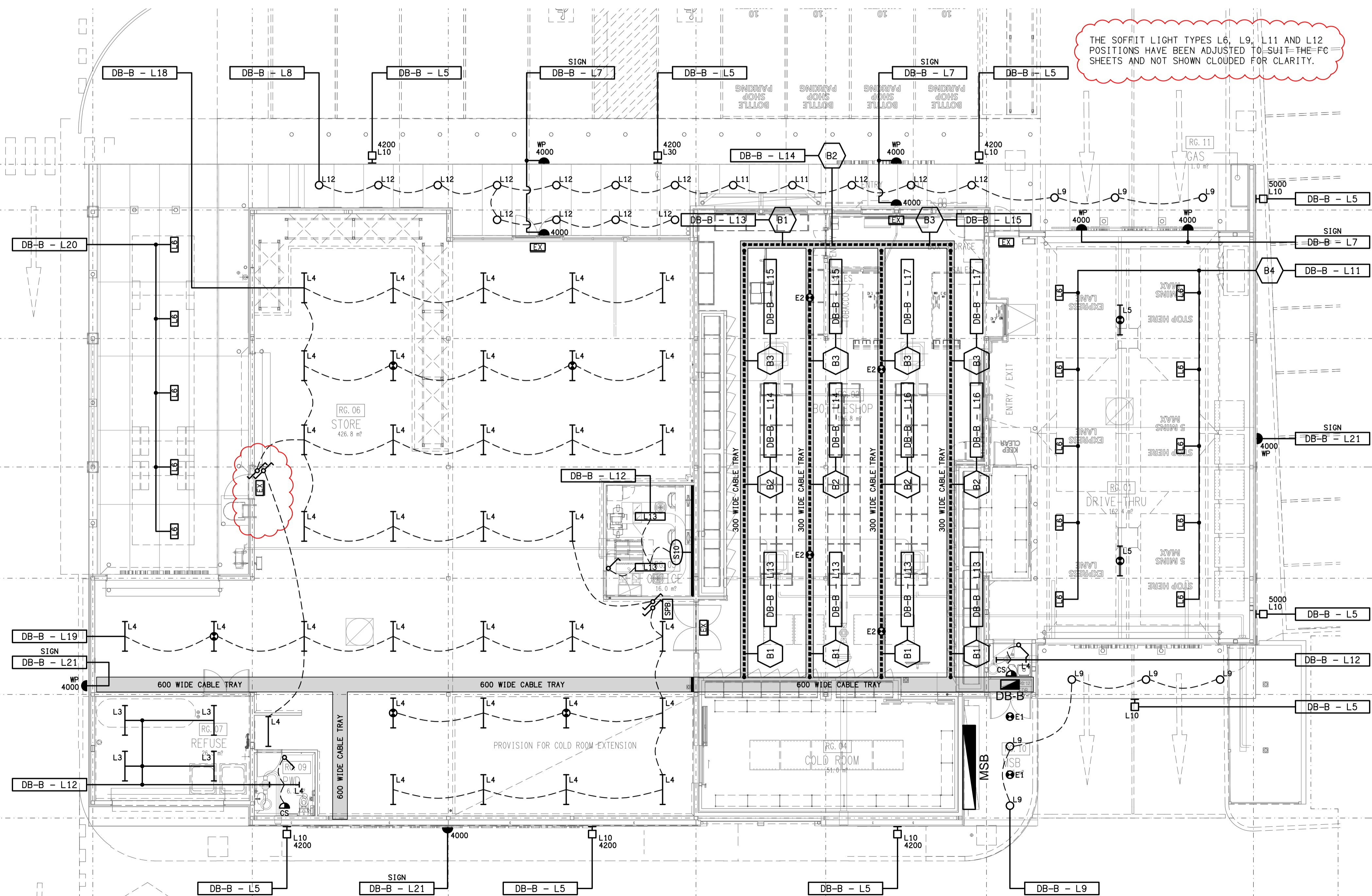
SCHEMATIC
SWITCHPANEL SPB CONFIGURATION
NOT TO SCALE



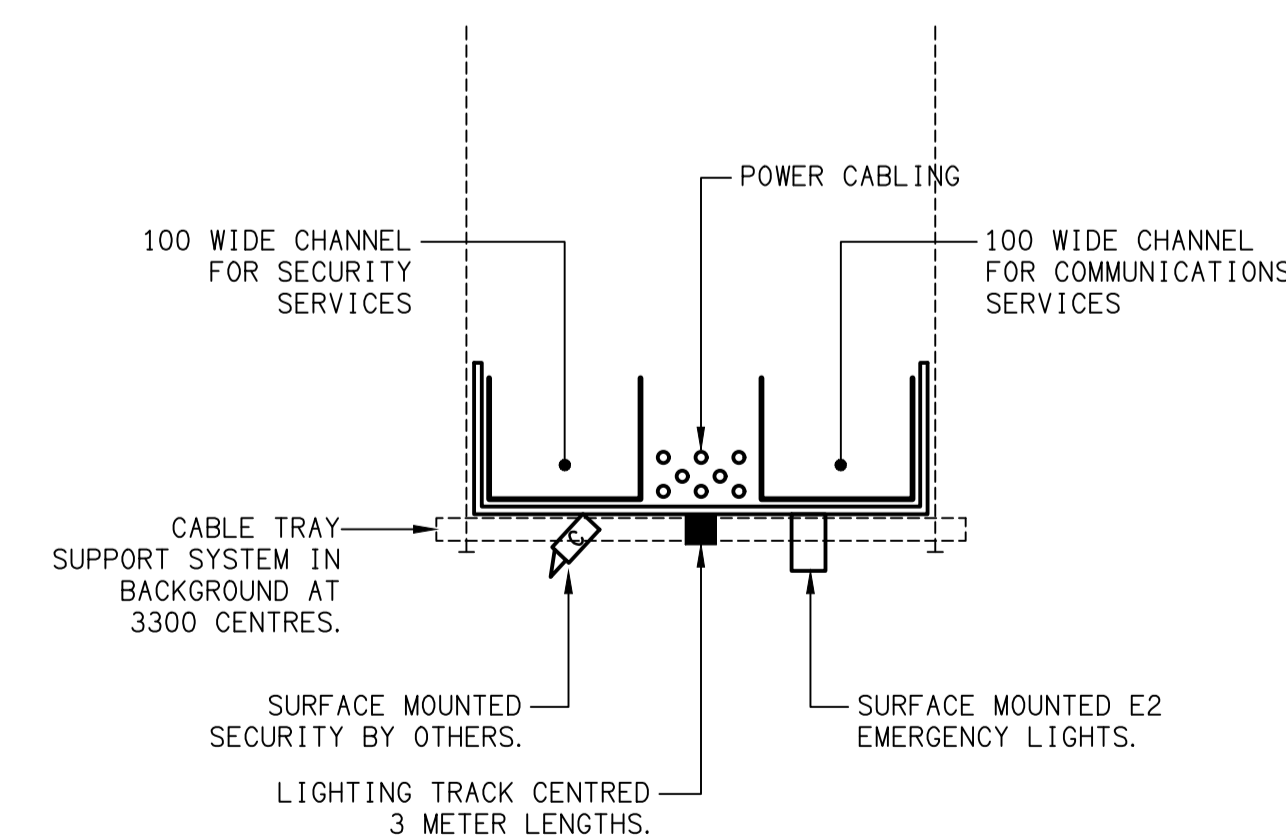
DETAIL
SWITCHPANEL SPB ELEVATION
NOT TO SCALE



DETAIL A
GENERIC CABLE TRAY LINEAR ELEVATION
SCALE 1:25



DETAIL B
600 WIDE CABLE TRAY SECTION
NOT TO SCALE



DETAIL C
300 WIDE CABLE TRAY SECTION
NOT TO SCALE

ELECTRICAL DESIGN GROUP BRISBANE
PTY LTD
ACN 092 710 793
TRADING AS:
ELECTRICAL DESIGN GROUP

THE COPYRIGHT OF THIS DRAWING
REMAINS THE PROPERTY OF THE
ELECTRICAL DESIGN GROUP.
USE FIGURED DIMENSIONS
IN REFERENCE TO SCALE.
ALL DIMENSIONS TO BE
VERIFIED ONSITE.

ELECTRICAL DESIGN GROUP
ELECTRICAL BUILDING SERVICES CONSULTANTS
BRISBANE GOLD COAST

P.O. Box 15, Sherwood Q. 4075
Phone: (07) 3278 4375
Email: brisbane@edg.net.au
Web: www.edg.net.au

PROJECT:
**DRY DOCK ROAD HOTEL,
TWEED HEADS SOUTH**

CORNER DOCK ROAD & FRASER DRIVE, NEW SOUTH WALES

| | | |
|-------------------|--------------|------------|
| REV: G | CONSTRUCTION | 16/06/2026 |
| REV: DESCRIPTION: | | DATE: |

DRAWING:
**ELECTRICAL SERVICES
BOTTLE SHOP REFLECTED CEILING PLAN**

SCALE:
1:100

AT A1

PROJECT NO:
C2864a

DRAWING NO:
E09

REVISION:
G